



DEPARTMENT OF REGULATORY AND ECONOMIC RESOURCES (RER)  
BOARD AND CODE ADMINISTRATION DIVISION

MIAMI-DADE COUNTY  
PRODUCT CONTROL SECTION

11805 SW 26 Street, Room 208  
Miami, Florida 33175-2474  
T (786) 315-2590 F (786) 315-2599

[www.miamidade.gov/economy](http://www.miamidade.gov/economy)

## NOTICE OF ACCEPTANCE (NOA)

**Boral Roofing, LLC**  
7575 Irvine Center Drive, Suite 100  
Irvine, CA 92618

### SCOPE:

This NOA is being issued under the applicable rules and regulations governing the use of construction materials. The documentation submitted has been reviewed and accepted by Miami-Dade County RER - Product Control Section to be used in Miami Dade County and other areas where allowed by the Authority Having Jurisdiction (AHJ).

This NOA shall not be valid after the expiration date stated below. The Miami-Dade County Product Control Section (In Miami Dade County) and/or the AHJ (in areas other than Miami Dade County) reserve the right to have this product or material tested for quality assurance purposes. If this product or material fails to perform in the accepted manner, the manufacturer will incur the expense of such testing and the AHJ may immediately revoke, modify, or suspend the use of such product or material within their jurisdiction. RER reserves the right to revoke this acceptance, if it is determined by Miami-Dade County Product Control Section that this product or material fails to meet the requirements of the applicable building code.

This product is approved as described herein, and has been designed to comply with the Florida Building Code including the High Velocity Hurricane Zone of the Florida Building Code.

### DESCRIPTION: Spanish 'S' Nuevo Concrete Roof Tile

**LABELING:** Each unit shall bear a permanent label with the manufacturer's name or logo, city, state and following statement: "Miami-Dade County Product Control Approved", unless otherwise noted herein.

**RENEWAL** of this NOA shall be considered after a renewal application has been filed and there has been no change in the applicable building code negatively affecting the performance of this product.

**TERMINATION** of this NOA will occur after the expiration date or if there has been a revision or change in the materials, use, and/or manufacture of the product or process. Misuse of this NOA as an endorsement of any product, for sales, advertising or any other purposes shall automatically terminate this NOA. Failure to comply with any section of this NOA shall be cause for termination and removal of NOA.

**ADVERTISEMENT:** The NOA number preceded by the words Miami-Dade County, Florida, and followed by the expiration date may be displayed in advertising literature. If any portion of the NOA is displayed, then it shall be done in its entirety.

**INSPECTION:** A copy of this entire NOA shall be provided to the user by the manufacturer or its distributors and shall be available for inspection at the job site at the request of the Building Official.

This NOA renews NOA No. 12-0308.19 and consists of pages 1 through 7.  
The submitted documentation was reviewed by Juan E. Collao, R.A.



NOA No.: 14-0408.06  
Expiration Date: 05/20/19  
Approval Date: 06/05/14  
Page 1 of 7

## ROOFING ASSEMBLY APPROVAL

**Category:** Roofing  
**Sub-Category:** Roofing Tiles  
**Material:** Concrete  
**Deck Type:** Wood

### 1. SCOPE

This approves a system using **Spanish 'S' Nuevo Concrete Roof Tile**, as manufactured by **Boral Roofing LLC** in Lake Wales, FL., and described this Notice of Acceptance. For locations where the pressure requirements, as determined by applicable Building Code does not exceed the design pressure values obtained by calculations in compliance with RAS 127 using the values listed in the installation section herein. The attachment calculations shall be done as a moment based system.

### 2. PRODUCT DESCRIPTION

<u>Manufactured by Applicant</u>	<u>Dimensions</u>	<u>Test Specifications</u>	<u>Product Description</u>
Spanish 'S' Nuevo Tile	L = 17" W = 9 3/4" H = 2 27/32" Min. 0.65" thick	TAS 112	High profile, interlocking, one-piece, 'S' shaped, high-pressure extruded concrete roof tile equipped with three nail holes. For direct deck nail-on, mortar set or adhesive set applications.
Trim Pieces	L= varies W = varies Varying thickness	TAS 112	Accessory trim, concrete roof pieces for use at hips, rakes, ridges and valley terminations. Manufactured for each tile profile.

#### 2.1 MANUFACTURING LOCATION

1. Lake Wales, FL

#### 2.2 SUBMITTED EVIDENCE:

<u>Test Agency</u>	<u>Test Identifier</u>	<u>Test Name/Report</u>	<u>Date</u>
Redland Technologies	7161-03 Appendix III	Static Uplift Testing PA 102 & PA 102(A)	Dec. 1991
Redland Technologies	7161-03 Appendix II	Wind Tunnel Testing PA 108 (Nail-On)	Dec. 1991
Redland Technologies	P0647-01	Wind Tunnel Testing PA 108 (Mortar Set)	Aug. 1994
Redland Technologies	P0402	Withdrawal Resistance Testing of screw vs. smooth shank nails	Sept. 1993
The Center for Applied Engineering, Inc.	94-084	Static Uplift Testing PA 101 (Mortar Set)	May 1994
The Center for Applied Engineering, Inc.	94-083	Static Uplift Testing PA 101 (Adhesive Set)	April 1994



NOA No.: 14-0408.06  
 Expiration Date: 05/20/19  
 Approval Date: 06/05/14  
 Page 2 of 7

**2.2 SUBMITTED EVIDENCE:**

<u>Test Agency</u>	<u>Test Identifier</u>	<u>Test Name/Report</u>	<u>Date</u>
The Center for Applied Engineering, Inc.	25-7183-4	Static Uplift Testing PA 102 (2 Quik-Drive Screws, Direct Deck)	Feb. 1995
The Center for Applied Engineering, Inc.	25-7214-3	Static Uplift Testing PA 102 (1 Quik-Drive Screw, Direct Deck)	March, 1995
Redland Technologies	Letter Dated Aug. 1, 1994	Wind Tunnel Testing PA 108 (Nail-On)	Aug. 1994
The Center for Applied Engineering, Inc. Nutting Engineering	Project No. 307025 Test #MDC-78 13343.1	Wind Driven Rain PA 100 Physical Properties TAS 112	Oct. 1994 Feb 2009
Celotex Corporation Testing Service Walker Engineering, Inc. Walker Engineering, Inc. Walker Engineering, Inc. Walker Engineering, Inc.	520111-3 520191-2-1 Calculations Evaluation Calculations Evaluation Calculations Evaluation Calculations	Static Uplift Testing PA 101 Aerodynamic Multiplier 25-7094 25-7496 25-7584 25-7804b-8 25-7804-4 & 5 25-7848-6 25-7183	Dec. 1998 March 1999 Jan 2009 February 1996 April 1996 December 1996
Walker Engineering, Inc. Walker Engineering, Inc. Walker Engineering, Inc. Walker Engineering, Inc.	Evaluation Calculations Calculations Evaluation Calculations Calculations	Two Patty Adhesive Set System Restoring Moment Due to Gravity Aerodynamic Multiplier Restoring Moment Due to Gravity	March 1995 April 1999 Jan 2009 09/01/10 09/02/10
American Test Lab of South Florida	RT0130.01-14 RT0426.01-14	TAS 112 TAS 112	02/05/14 05/02/14



### 3. LIMITATIONS

- 3.1 Fire classification is not part of this acceptance.
- 3.2 For mortar or adhesive set tile applications, a static field uplift test shall be performed in accordance with TAS 106.
- 3.3 Applicant shall retain the services of a Miami-Dade County Certified Laboratory to perform quarterly test in accordance with TAS 112, appendix 'A'. Such testing shall be submitted to the Building Code Compliance Office for review.
- 3.4 Minimum underlayment shall be in compliance with the applicable Roofing Applications Standards listed section 4.1 herein.
- 3.5 30/90 hot mopped underlayment applications may be installed perpendicular to the roof slope unless stated otherwise by the underlayment material manufacturers published literature.
- 3.6 This acceptance is for wood deck applications. Minimum deck requirements shall be in compliance with applicable building code.
- 3.7 May be installed on slopes 7:12 and greater
- 3.8 All products listed herein shall have a quality assurance audit in accordance with the Florida Building Code and Rule 61G20-3 of the Florida Administrative Code.

### 4. INSTALLATION

- 4.1 Spanish 'S' Nuevo Concrete Roof Tile and its components shall be installed in strict compliance with Roofing Application Standard RAS 118, RAS 119, and RAS 120.
- 4.2 Data For Attachment Calculations

**Table 1: Average Weight (W) and Dimensions (l x w )**

Tile Profile	Weight-W (lbf)	Length-l (ft)	Width-w (ft)
Spanish 'S' Nuevo Tile	8.95	1.417	0.8125

**Table 2: Aerodynamic Multipliers -  $\lambda$  (ft<sup>3</sup>)**

Tile Profile	$\lambda$ (ft <sup>3</sup> ) Batten Application	$\lambda$ (ft <sup>3</sup> ) Direct Deck Application
Spanish 'S' Nuevo Tile	0.215	0.233

**Table 3: Restoring Moments due to Gravity -  $M_g$  (ft-lbf)**

Tile Profile	2:12		3:12		4:12		5:12		6:12		7:12 or greater	
	Battens	Direct Deck	Battens	Direct Deck	Battens	Direct Deck	Battens	Direct Deck	Battens	Direct Deck	Battens	Direct Deck
Spanish 'S' Nuevo Tile	5.36	6.00	5.30	5.93	5.21	5.83	5.09	5.70	4.96	5.56	4.82	5.39



**Table 4: Attachment Resistance Expressed as a Moment -  $M_f$  (ft-lbf)  
For Nail-On Systems**

Tile Profile	Fastener Type	Direct Deck (min 15/32" plywood)	Direct Deck (min. 19/32" plywood)	Battens
Spanish 'S' Nuevo Tile	2-10d Ring Shank Nails	28.6	41.2	19.4
	1-10d Smooth or Screw Shank Nail	5.1	6.8	2.8
	2-10d Smooth or Screw Shank Nails	6.9	9.2	7.3
	1 - #8 Screw	20.7	20.7	18.1
	2 - #8 Screws	43.2	43.2	29.8
	1-10d Smooth or Screw Shank Nail (Field Clip)	23.1	23.1	19.0
	1-10d Smooth or Screw Shank Nail (Eave Clip)	29.3	29.3	24.0
	2-10d Smooth or Screw Shank Nails (Field Clip)	27.6	27.6	38.6
	2-10d Smooth or Screw Shank Nails (Eave Clip)	38.1	38.1	41.8
		2-10d Ring Shank Nails <sup>1</sup>	33.1	48.1

<sup>1</sup> Installation with a 4" tile headlap and fasteners are located a min. of 2½" from head of tile.

**Table 5: Attachment Resistance Expressed as a Moment  $M_f$  (ft-lbf)  
for Two Patty Adhesive Set Systems**

Tile Profile	Tile Application	Minimum Attachment Resistance
Spanish 'S' Nuevo Tile	Adhesive <sup>2</sup>	29.3 <sup>3</sup>

<sup>2</sup> See manufactures component approval for installation requirements.

<sup>3</sup> Flexible Products Company TileBond Average weight per patty 10.7 grams.  
3M™ 2-Component Foam Roof Tile Adhesive AH-160 Average weight per patty 8 grams.

**Table 6: Attachment Resistance Expressed as a Moment -  $M_f$  (ft-lbf)  
for Single Patty Adhesive Set Systems**

Tile Profile	Tile Application	Minimum Attachment Resistance
Spanish 'S' Nuevo Tile	3M™ 2-Component Foam Roof Tile Adhesive AH-160	66.5 <sup>4</sup>
	3M™ 2-Component Foam Roof Tile Adhesive AH-160	38.7 <sup>5</sup>

<sup>4</sup> Large paddy placement of 63 grams of 3M™ 2-Component Foam Roof Tile Adhesive AH-160.

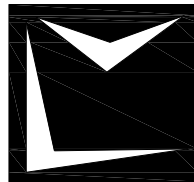
<sup>5</sup> Medium paddy placement of 24 grams of 3M™ 2-Component Foam Roof Tile Adhesive AH-160.



Table 7: Attachment Resistance Expressed as a Moment - $M_f$ (ft-lbf) for Mortar Set Systems		
Tile Profile	Tile Application	Attachment Resistance
Spanish 'S' Nuevo Tile	Mortar Set <sup>6</sup>	24.5
<sup>6</sup> Tile-Tite Roof Tile Mortar.		

## 5. LABELING

All tiles shall bear the imprint or identifiable marking of the manufacturer's name or logo (See Detail Below), or following statement: "Miami-Dade County Product Control Approved".



**BORAL ROOFING LLC SPANISH 'S' NUEVO CONCRETE ROOF TILE (LAKE WALES, FL.)  
(LOCATED ON UNDERSIDE OF TILE)**

## 6. BUILDING PERMIT REQUIREMENTS

6.1 Application for building permit shall be accompanied by copies of the following:

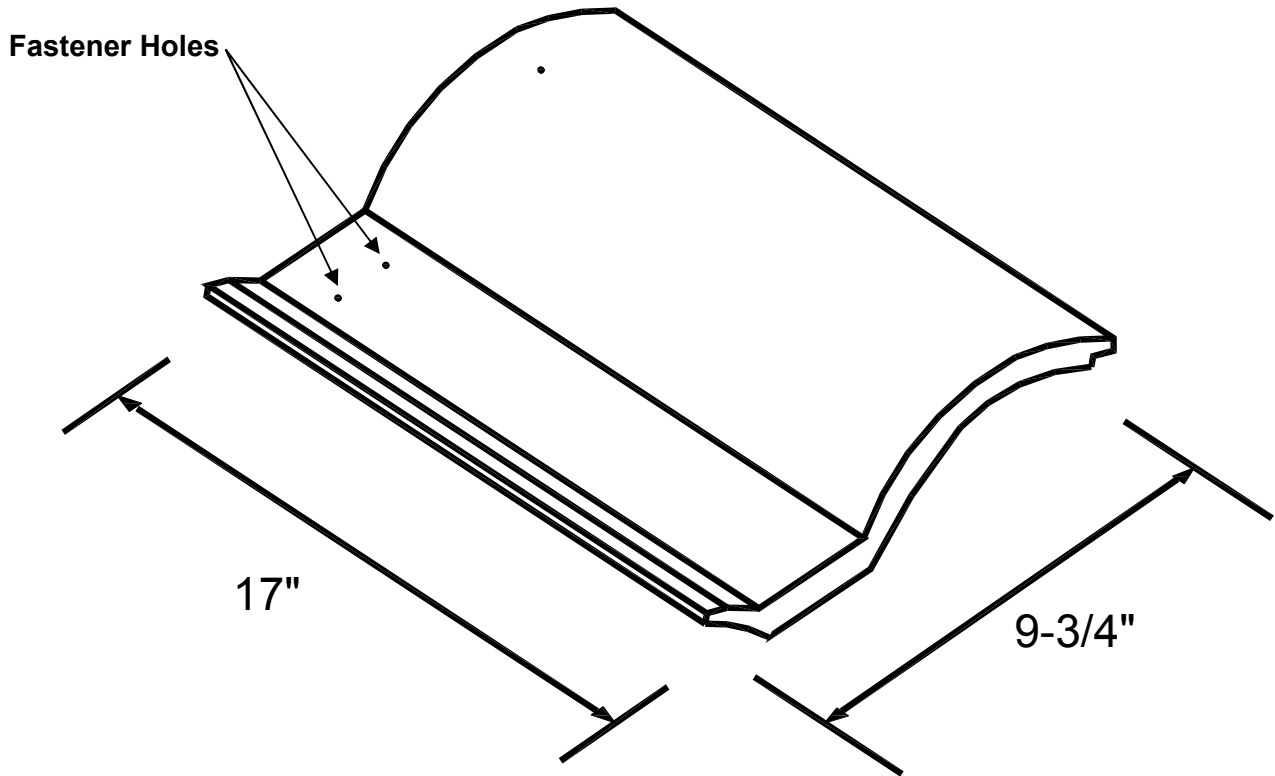
6.1.1 This Notice of Acceptance.

6.1.2 Any other documents required by the Building Official or applicable building code in order to properly evaluate the installation of this system.



NOA No.: 14-0408.06  
Expiration Date: 05/20/19  
Approval Date: 06/05/14  
Page 6 of 7

**PROFILE DRAWINGS**



**SPANISH 'S' NUEVO CONCRETE ROOF TILE**

**END OF THIS ACCEPTANCE**



**NOA No.: 14-0408.06**  
**Expiration Date: 05/20/19**  
**Approval Date: 06/05/14**  
**Page 7 of 7**